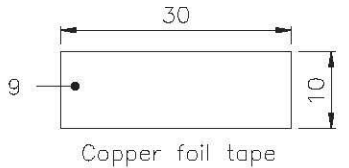
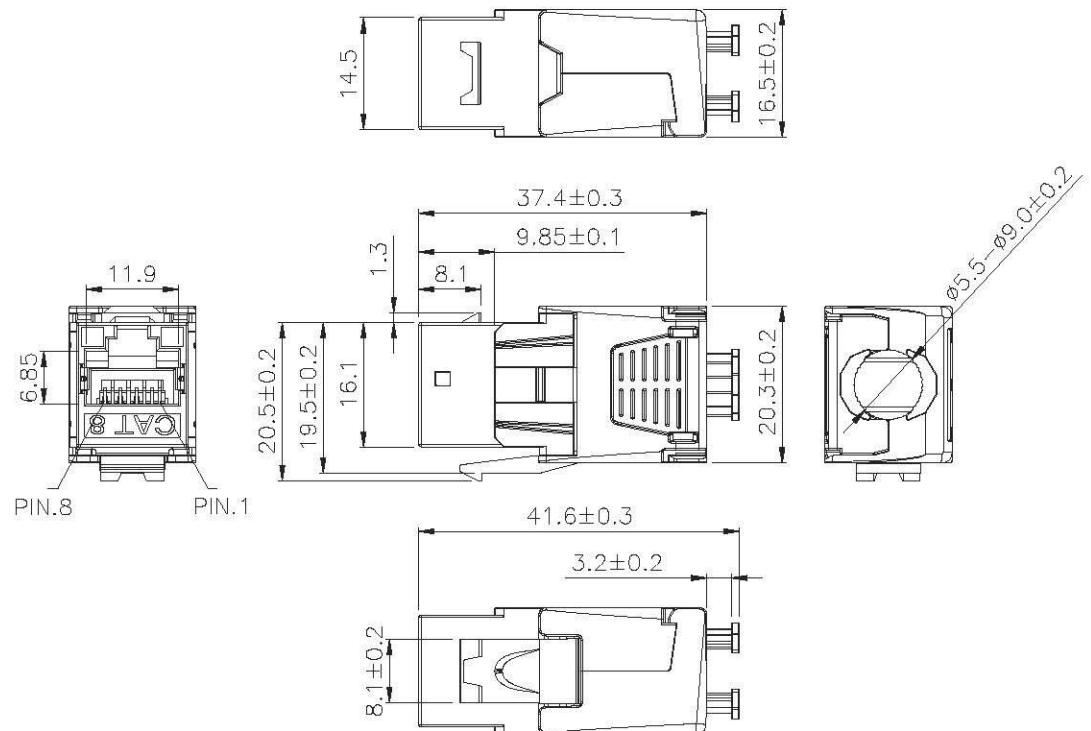


SCALE 1/1



Copper foil tape



Specification :

Material :

1. RJ45 Jack :
 - 1-1. Housing : Zinc die-casting with nickel plated.
 - 1-2. Contact bracket : PC, UL 94-V2, transparent color.
2. RJ45 Jack contact :
 - 2-1. Material : Phosphor bronze with nickel plated.
 - 2-2. Finish : 50 micro-inch gold plated on plug contact area.
3. Cap A&B : Zinc die-casting with nickel plated.
4. IDC :
 - 4-1. Housing : PC, Blue(RAL 5005)color, UL 94-V2.
 - 4-2. Terminal : Phosphor bronze with tin plated.
5. Cap : PC+glass fiber, white color, UL 94-V2.
6. Grounding contact : Stainless steel.
7. Grounding contact block : Zinc die-casting with nickel plated.
8. PCB : UL 94V-0.
9. Copper foil tape.

Performance :

- a. T568A & T568B wiring.
- b. Insertion force : 30N max. (IEC 60603-7-5)
- c. Retention strength : 7.7 kg between Jack and Plug.
- d. Operating temperature : -10°C to 60°C. (ISO/IEC TR 11801-9901, ANSI/TIA 568-C.2-1).
- e. Life time :
 - e-1. Jack : 750 cycles min. (ISO/IEC 11801, IEC 60603-7-5)
 - e-2. IDC : Suitable for 22-24AWG stranded and solid wire, min. 20-installation cycles.
- f. The Cat 8 transmission performance is in compliance with the ANSI/TIA 568-C.2-1 standard.

Figure D.2-Panel drawing

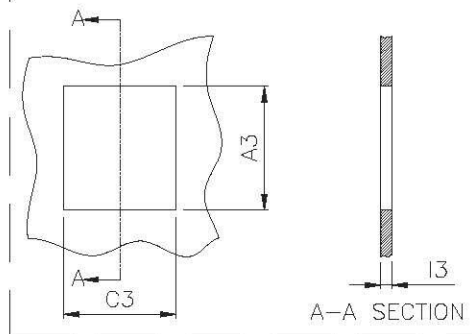


Table D.2-Dimensions

Letter	Maximum mm	Minimum mm
A3	19.61	19.30
C3	15.04	14.78
I3	1.54	1.22

GENERAL TOLERANCE OF DIMENSIONS X.XXX ±0.005 X.XX ±0.05 X.X ±0.1	DRAWING	20.OCT.2017	WESLEY	 www.allconnectors.de info@allconnectors.de Tel.: 0049 711 7009503 Fax: 0045 711 7009504 70794 Filderstadt - Germany Kettnerstr. 25	
	CHECK	20.OCT.2017	DAY		
	APPROVAL	20.OCT.2017	FRANK		
		DATE	NAME		
	SCALE	1/1 (A4)	UNIT	mm	ITEM NO.: 3J01-A01-00040
					DES.: C8 FULL SHIELDED KEYSTONE JACK
					DRAWING NO. AADBZ0211700115E2501 ZXKJ58F-C8-FS(SA1)
					DRAWING CLASSIFICATION S SHEET 1 OF 1